

The Servomex 4900 analyser is a cost effective, high performance solution for Continuous Emission Monitoring applications



- Low cost of ownership
- Multiple gas capability (O₂, CO, CO₂, NO, SO₂)
- Low maintenance
- Easy integration with other systems
- TÜV Approved
- FM/CSA Approved - Process Control Equipment

Specification	O ₂	SO ₂	NO	CO Std Sensitivity	CO High Sensitivity	CO ₂
PERFORMANCE						
Technology:	Paramagnetic	Infrared (Gfx) ⁵	Infrared (Gfx) ⁵	Infrared (Gfx) ⁵	Infrared (Gfx) ⁵	Infrared(sbsw) ⁶
Range:	0-25% O ₂	0-200 ² /2500 ppm(v) SO ₂	0-100/1000 ppm(v) NO	0-200/3000 ppm(v) ³ CO	0-50/500 ppm(v) CO	0-25% CO ₂ ³
Intrinsic Error (accuracy):	<0.05% O ₂	5ppm(v) SO ₂ ¹	2ppm(v) NO ¹	2ppm(v) CO ¹	0.5ppm(v) CO ¹	<1% of selected range
Linearity Error:	<0.05% O ₂	5ppm(v) SO ₂ ¹	2ppm(v) NO ¹	2ppm(v) CO ¹	0.5ppm(v) CO ¹	<1% of selected range
Repeatability:	0.05% of reading	5ppm(v) SO ₂ ¹	2ppm(v) NO ¹	2ppm(v) CO ¹	0.5ppm(v) CO ¹	<1% of selected range
Response time (T₉₀) at max. sample flow rate	<15sec	<30sec	<30sec	<30sec	<30sec	<30sec
Zero Drift/week:	<0.05% O ₂	10ppm(v) SO ₂	2ppm(v) NO	4ppm(v) CO	1ppm(v) CO	2% of selected range
Span Drift:	<0.05% O ₂ /week	2% of reading or 10ppm(v) SO ₂ ⁴ /week	2% of reading or 1ppm(v) NO ⁴ /week	2% of reading or 4ppm(v) CO ⁴ /week	2% of reading or 1ppm(v) CO ⁴ /week	1% reading/day
other measurements are available on request						
SIGNAL INPUTS/ OUTPUTS						
Analogue Outputs:	Two Isolated 4-20mA/0-20mA as standard. Additional outputs may be added					
Analogue Inputs:	Two Isolated 4-20mA/0-20mA as standard					
Analogue output range:	Freely selectable over the measurement range					
Alarms:	Three volt free single pole relays (264Vac or 30Vdc at 1.0A). Additional relays may be added					
Serial Outputs:	Single ASCII data logging output (RS232). User configurable, 2400 to 19200 baud					
PHYSICAL						
Dimensions (W x D x H):	482.6mm (19") x 478mm (18.8") Short Chassis depth or 608mm (23.9") Long Chassis depth x 132.5mm (3U) nominal					
Weight:	Typical 22Kg (48.4lb)					

¹ or <1% of reading, whichever is greater

² TÜV validated range

³ Higher Ranges available, consult Servomex

⁴ whichever is greater

⁵ Gfx = Gas filter correlation infrared technology

⁶ sbsw = Single beam single wavelength infrared technology



Operating Environment

Temperature:

Operating: 5°C to 45°C/41°F to 113°F

Storage: -20°C to 60°C/-4°F to 140°F

Atmospheric Pressure:

11 to 18psia/79 to 124 kPaa

(for operation up to 2000m altitude.)

Warm Up Time

typically 1 hour from ambient (20°C)

Relative Humidity:

10-90% RH, non-condensing

Sample Gas

Maximum Temperature: 60°C

Dew Point: 5°C/9°F below minimum ambient

Condition: Oil free, non-corrosive, non-condensing, non-flammable

Particulates: <1µm

Pressure: Sample Pressure externally regulated to typically <1psig to provide specified flow rate.

Flow Rate: 500-1500ml/min.

Gas Connection: Inlet 1/8" NPT female
Outlet 1/4" NPT female

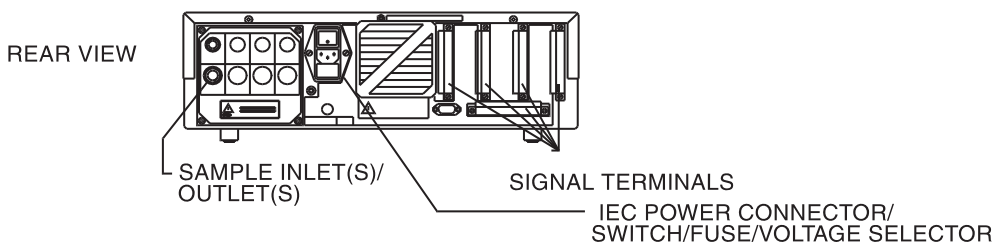
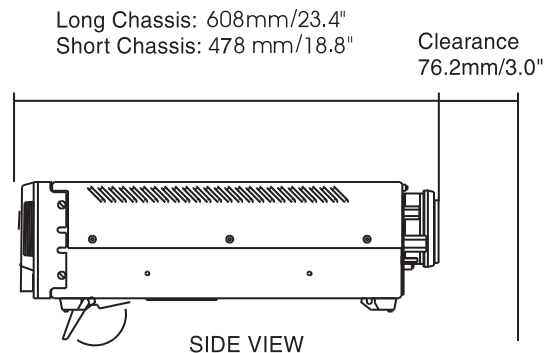
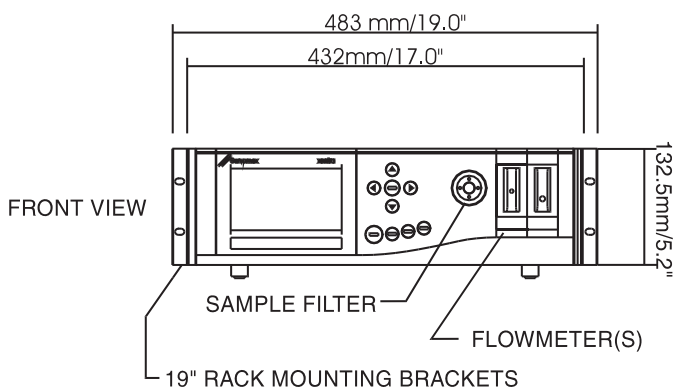
Power Supply

85 to 132Vac, 47 to 62Hz (350VA) maximum

170 to 264Vac, 47 to 62Hz (350VA) maximum

Sample Wetted Materials

Sample Wetted Materials	Analyser fitted with		
	O ₂ Control Sensor	SO ₂ , NO, CO Trace Sensors	CO ₂ percent Sensor
Stainless Steel 303	✓	✓	✓
Stainless Steel 316	✓	✓	✓
Viton	✓	✓	✓
Polypropylene	✓	✓	✓
Borosilicate Glass	✓		
Platinum	✓		
Platinum Iridium Alloy	✓		
Electroless Nickel	✓		
Gold		✓	
Calcium Fluoride		✓	
Nickel		✓	
Sapphire			✓
Epoxy Resin			✓
Nylon			✓
Flowmeter Option			
Borosilicate Glass	✓	✓	✓
Duralumin	✓	✓	✓
Needle Valves Option			
Brass	✓	✓	✓
Fomblin Grease	✓	✓	✓
Flow Alarm Option			
Glass	✓	✓	✓
Nylon	✓	✓	✓
Silicon Rubber	✓	✓	✓
Aluminium	✓	✓	✓
Internal Autocal Option			
Aluminium	✓	✓	✓
PVDF	✓	✓	✓
Internal Filter Option			
Polycarbonate	✓	✓	✓
Glass Fibre	✓	✓	✓



EC Directive Compliance

The 4900 analyser complies with the Low Voltage Directive 73/23/EEC and the EMC Directive 89/336/EEC (as amended by Directive 92/31/EEC), both as amended by Directive 93/68/EEC.

It conforms to the following harmonised European standards for product safety and electromagnetic compatibility:

EN 61010-1: Safety requirements for electrical equipment for measurement, control and laboratory use.

EN 61326-1: Electrical equipment for measurement, control and laboratory use - EMC requirements (All induced errors are less than the intrinsic error).

This product is rated for "Installation Category II" in accordance with IEC 664.

This product is rated for "Pollution Degree 2" in accordance with IEC 664.

Performance Specification Continued						
Gases Measured:	O ₂	SO ₂	NO	CO Std. Sensitivity	CO High Sensitivity	CO ₂
Recommended minimum output range:	0-5% O ₂	0-500ppm(v) SO ₂	0-100ppm(v) NO	0-200ppm(v) CO	0-50ppm(v) CO	80% of selected range
Output fluctuation: (peak to peak noise)	<0.01% O ₂	1% of reading or 5ppm(v) SO ₂ ¹	1% of reading or 2ppm(v) NO ¹	1% of reading or 2ppm(v) CO ¹	1% of reading or 0.5ppm(v) CO ¹	1% of reading or 0.5% of selected range
Cross sensitivity ^{2, 4} : (zero on nitrogen)	20% CO ₂ will have an effect of 0.06%O ₂	20% CO ₂ will have an effect of 5ppm(v) SO ₂ 0.5% H ₂ O will have an effect of -15ppm(v) SO ₂	20% CO ₂ will have an effect of 2ppm(v) NO 0.5% H ₂ O will have an effect of -2ppm(v) NO	20% CO ₂ will have an effect of 2ppm(v) CO 2% H ₂ O will have an effect of 0.5ppm(v)CO	20% CO ₂ will have an effect of 1ppm(v) CO 2% H ₂ O will have an effect of 0.5ppm(v) CO	No effects
Ambient pressure: coefficient (per 1% change in vent pressure)	1% of reading	0.75% of reading	0.3% of reading	0.25% of reading	0.25% of reading	<2% of reading
Ambient temperature coefficient (per 10°C/18°F)	1% of reading or 0.1% O ₂ ¹	3% of reading or 15ppm(v) SO ₂ ¹	3% of reading or 3 ppm(v) NO ¹	3% of reading or 4 ppm(v) CO ¹	3% of reading or 1 ppm(v) CO ¹	2% of reading or 1% of selected range ¹
Sample flow effect: for analyser flow rate 500-1500ml/min	<1% of reading or 0.1% O ₂ ¹	<1% of reading or 5 ppm(v) SO ₂	<1% of reading or 2 ppm(v) NO	<1% of reading or 2 ppm(v) CO	<1% of reading or 0.5 ppm(v) CO	<3% of reading or 1.5% of selected range ¹

¹whichever is the larger ² normal sign shown, effects can be positive or negative (same magnitude)

³ per 1% change in analyser vent pressure. ⁴ Data quoted for flue gas applications. For other applications refer to Servomex.

The performance specification has been written, and verified, in accordance with the International standard IEC 1207-1:1994 "Expression of performance of gas analysers".

SERVOMEX COMPANIES, AGENTS AND REPRESENTATIVES ARE LOCATED THROUGHOUT THE WORLD. FOR YOUR NEAREST CONTACT VISIT WWW.SERVOMEX.COM

Servomex has a policy of constant product improvement and therefore reserves the right to change specifications without notice.



Certificate No. Q05166
BS EN ISO 9001



Certificate No. EMS82701
BS EN ISO 14001



EAME (Europe, Africa and Middle East):

Servomex Group Limited, Jarvis Brook, Crowborough, East Sussex, TN6 3DU, England

Servomex GmbH, Münsterstraße 5, 59065 Hamm, Germany

Servomex S.A., 8 Rue Proudhon, B.P. 50, 93212 St Denis La Plaine Cedex, France

Servomex B.V., Stephensonstraat 20, 2723 RN Zoetermeer, Netherlands

Servomex Group Limited., SAIF Zone, Executive Suites Z1-56, PO Box 8962, Sharjah, UAE.

AMERICAS:

Servomex Company Inc., 525 Julie Rivers, Suite 185, Sugar Land, Texas 77478-2847, USA.

ASIA PACIFIC:

Servomex Asia Pacific Ltd, (Spectris Instrumentation and Systems (Shanghai) Ltd)

Building 9, Shanghai Euromate Industrial Park, No.88 Lane 2888 Hua Ning Road, Xinzhuang Industrial Park, Shanghai 201108 PR China

Servomex Asia Pacific Ltd, 7F, No.88, Sec. 6, Chung Shan N. Rd., Taipei, Taiwan

Servomex India, (Spectris Technologies Pvt.Ltd) 7th Floor, Sunil Enclave, CTS No.307, Village Gundavli, Shivaji & Perriera Hill Road Junction, Opp. Landmark Building, Off Andheri Kurla Road, Andheri (East), Mumbai 400 099, India.

Servomex Japan, (Spectris Co.Ltd.) 1F KDX Kaji-cho Bldg., 3-5-2 Kandakaji-chou, Chiyoda-ku, Tokyo 101-0045, Japan

Global email: info@servomex.com

☎ (44) 1892 652181 Fax (44) 1892 662253
☎ (49) 23 81 68 82 13 Fax (49) 23 81 68 81 75
☎ (33) 1 49 46 22 50 Fax (33) 1 49 46 22 51
☎ (31) 79-346 42 42 Fax (31) 79-342 08 19
☎ (971) 6 557 0303 Fax (971) 6 557 1242

☎ (1) 281-295-5800 Fax (1) 281-295-5899

☎ (86) 21 6442 6488 Fax (86) 21 6442 6498
☎ (886) 2-2833 8848 Fax (886) 2-2833 8844

☎ (91) 22 67100359/60 Fax (91) 22 66778896
☎ (81) 3 3255 8162 Fax (81) 3 3255 8154

Website: <http://www.servomex.com>