



Alarm Link

Product Code:

EA-ALK

Summary

This product can activate a device when detecting an alarm status of a Junior or iLog logger, by the actuation of an internal changeover contact (reed relay).

Optional Accessory: Interface Holder JA-INT-HLD to mount logger and interface on wall or other surface using molded screw holes. Weight: 62 grams, size: 100mm x 96mm x 43mm.



Specification of standard configuration

Size	Dia. 80mm, Ht 35mm
Weight	50 grams
Storage Operating Temperature	-40 to +85°C
Earliest firmware revisions of Junior required for support of Alarm link	The earliest firmware versions which support the Alarm Link are 1.1c (for 1.XX loggers), 2.3c (for 2.XX loggers) and 3.2c (for 3.XX loggers). Also, your logger must have the ability to indicate an alarm status, either through LED's, an LCD or through an audible alarm, which is denoted by <i>Alarm Compatibility Symbol</i>
Power Requirements	9-24 Volts DC, 100mA, External Source
Alarm Output	NC or NO, 0.5A @ 24VDC. maximum switched power 30W.
IP Rating	IP51
Warranty	12 Months

Programming the logger to activate the output

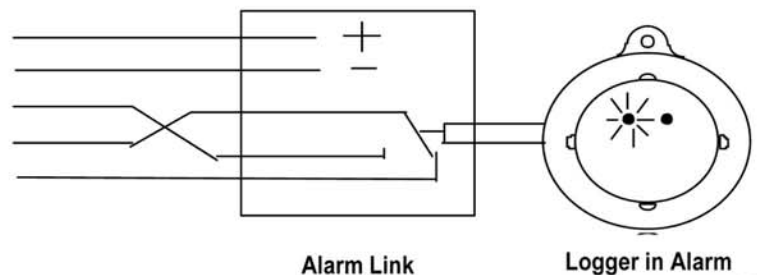
To activate the alarm link, the logger must be programmed as follows:

- the alarm limit(s) must be set appropriately to the monitored conditions
- the alarm(s) must be active (enabled)
- the alarm audible indication (alarm beep) must be turned on

Connections

A five way screw connector is provided. Two terminals are for a DC power supply, 9 to 24V at 100mA minimum capacity. The other three are connected to the changeover contact set, allowing the choice of normally-open or normally-closed operation to be made at any time.

Conn	Wire colour
V+	Red
GND	Black
NC	Yellow
COM	White
NO	Blue



ESCORT Data Logging Systems reserve the right to change the specifications without notice.

ESCORT Accessories Alarm Link 20040615.doc 15 June 2004

Alarm Link Sample Wiring

The following is intended to assist you with the setup of the Alarm Link by detailing two simple applications. For Help regarding the programming and setting of specifications and alarm conditions for your Junior or iLog data logger kindly refer to the Help File of the user software ESCORT Console or ESCORT for Windows.

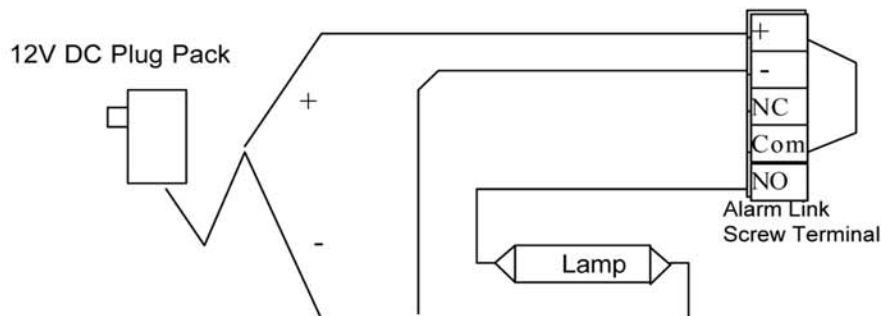
To start with, please find here a detailed description of the two central Alarm Link features:

Feature	Explanation
Volt-free relay contacts	You do not have to use the same power supply for the Alarm Link and the output indicator or load, but you can.
Changeover contacts	Inside the Alarm Link, the wire called Com is connected to the wire called NC, and the wire called NO is disconnected, until an alarm condition occurs. In such case, the connection between Com and NC is broken, and Com is connected to NO. You can therefore choose to switch something on or off when an alarm condition occurs.

In the following examples, only the external wiring is shown.

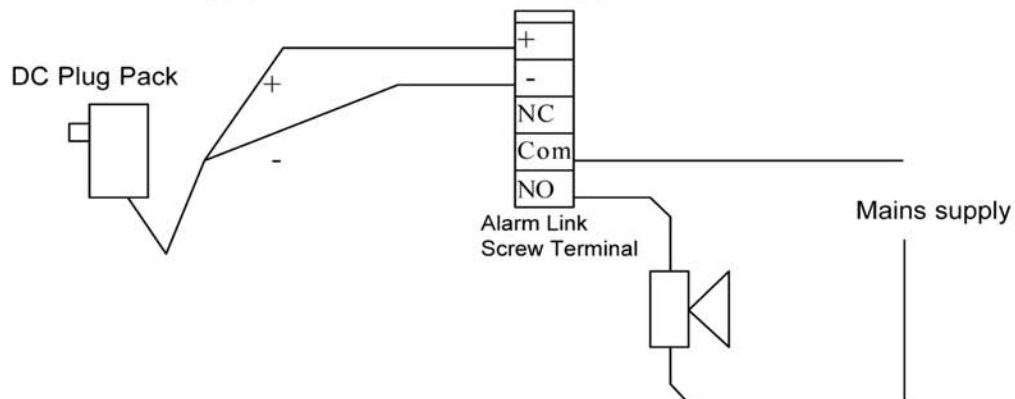
1. Lighting a 12V lamp bulb when an alarm condition occurs.

In this setup the plug pack supplies power to the Alarm Link on the “+” and “-” terminals. The same plug pack also provides power to the lamp bulb, but the lamp circuit is only complete when the logger detects an alarm condition (NO then connects to Com).



2. Sounding a mains siren when an alarm condition occurs.

The plug pack supplies power to the Alarm Link on the “+” and “-” terminals. The relay in the alarm link connects the mains supply to the siren when the logger detects an alarm condition.



Please note that if you are connecting mains voltages, local and national regulations may apply.

ESCORT Data Logging Systems reserve the right to change the specifications without notice.

ESCORT Accessories Alarm Link 20040615.doc
15 June 2004