



NEW

The CastAway™-CTD with profiling and analysis software

CastAway
CTD



The YSI CastAway-CTD is a lightweight, easy to use hydrographic instrument designed for quick and accurate conductivity, temperature, and depth profiles. Starting with a unique six-electrode array and a flow-through cell, the CastAway makes use of commercial Bluetooth and GPS technology to make an instrument that is as usable as it is accurate.

The palm-sized CastAway-CTD can easily be deployed by hand. Each cast is referenced with both time and location using its built-in GPS receiver. Latitude and longitude are acquired both before and after each profile. Plots of conductivity, temperature, salinity and sound speed versus depth can be viewed immediately on the CastAway's integrated color LCD screen in the field.

Raw data can be easily downloaded via Bluetooth to a Windows computer for detailed analysis and/or export at any time. Rugged, non-corrosive housing, AA battery power and tool-free operation reflect the technician-friendly pedigree of the CastAway-CTD. So do the simple, intuitive features – everything an operator needs to know about deploying the CastAway-CTD, viewing data and downloading the files fits in the lunchbox-sized carrying case.



The CastAway is a multi-functional tool that incorporates the most modern technology available - yet is simple to use. It is designed for CTD profiling down to 100 m and is easy to deploy.



Best used in:

- Coastal Oceanography
- Hydrology
- Aquaculture/Fisheries

When needed for:

- Saltwater Intrusion
- Surveying/Hydrography
- Sound Velocity Profiles
- Field Sensor Verification
- Estuarine Research

*The CastAway-CTD
Instant, reliable data in the
palm of your hand!*

Pure
Data for a
Healthy
Planet.®

- GPS position, date and time
- Fast sampling and sensor response
- Waterproof interface works in and out of the water
- Bluetooth wireless communication
- No user calibration required
- No tools, computers or cables required!



Specifications

To order, or for more information, contact YSI Environmental.
 800 897 4151 (US)
 +1 937 767 7241 (Globally)
 www.ysi.com

YSI Environmental
 +1 937 767 7241
 Fax +1 937 767 9353
 environmental@ysi.com

YSI Integrated Systems & Services
 +1 508 748 0366
 systems@ysi.com

SonTek/YSI
 +1 858 546 8327
 inquiry@sontek.com

YSI Gulf Coast
 +1 225 753 2650
 gulfcoast@ysi.com

YSI Hydrodata (UK)
 +44 1462 673 581
 europe@ysi.com

YSI Nanotech (Abu Dhabi)
 +971 25631316
 samer@nanotech.co.jp

YSI South Asia
 +91 9891220639
 sham@ysi.com

YSI (Hong Kong) Ltd
 +852 2891 8154
 hongkong@ysi.com

YSI (China) Ltd
 +86 10 5203 9675
 beijing@ysi-china.com

YSI Nanotech (Japan)
 +81 44 222 0009
 nanotech@ysi.com

YSI Australia
 +61 7 39017223
 australia@ysi.com

ISO 9001
ISO 14001

Yellow Springs, Ohio Facility

CastAway*, Pure Data for a Healthy Planet and Who's Minding the Planet? are registered trademarks of YSI Incorporated.
 © 2010 YSI Incorporated
 Printed in USA E97 0910

*Patent pending.



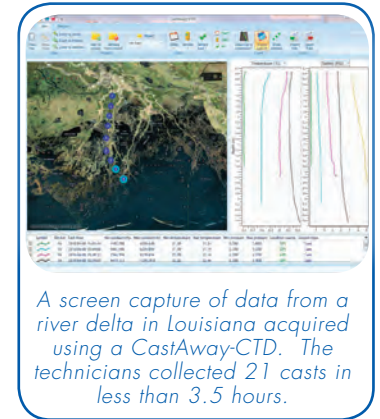
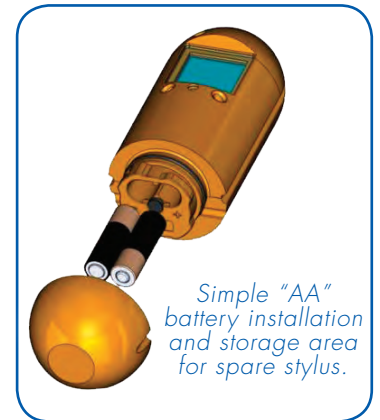
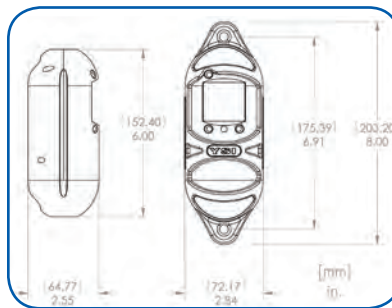
YSI incorporated
 Who's Minding the Planet?

- Memory** 15 MB (750+ casts based on typical usage)
- Communications** Bluetooth class II, up to 10 m range
- Power** 2 "AA" alkaline batteries, 40 hours continuous use
- Data Output Format**
 - ASCII (CSV)
 - Hypack
 - Matlab
- Environmental**
 - Depth range: 0-100 m
 - Use temperature: -5° to 45° C
 - Storage temperature: -10° to 50° C
- Sampling Modes**
 - Casting (up/down)
 - Point sample (moving the unit back and forth)
- Software**
 - Windows XP/Vista/7
 - Geo-referenced
 - Multi-language
 - Data plots, filtering, import/export
- Accessories**
 - Hard plastic storage/shipping case
 - Polyurethane jacket
 - 15m deployment line
 - Bluetooth dongle
 - Two locking carabiners
 - Three magnetic stylus pens
 - Cleaning brush

Thermistor Response Less than 200 ms

Sampling Rate 5 Hz

Weight In air: 1.0 lb (0.45 kg)
 In water: 0.06 lbs (0.03 kg)



The CastAway-CTD Output Parameters

	Range	Resolution	Accuracy	Measured or Derived
Conductivity	0 to 100,000 µS/cm	1µS/cm	± 0.25% ± 5 µS/cm	Measured
Temperature	-5° - 45° C	0.01° C	± 0.05° C	Measured
Pressure	0 to 100 dBar	0.01 dBar	± 0.25% FS	Measured
Salinity	Up to 42 (PSS-78)	0.01 (PSS-78)	± 0.1 (PSS-78)	PSS-78 ³
Sound Speed	1400 - 1730 m/s	0.01 m/s	± 0.15 m/s	Chen-Millero ⁴
Density ¹	990 to 1035 kg/m ³	0.004 kg/m ³	± 0.02 kg/m ³	EOS80 ⁵
Depth	0 to 100 m	0.01m	± 0.25% FS	EOS80 ⁵
Specific Conductivity ²	0 to 250,000 µS/cm	1µS/cm	± 0.25% ± 5 µS/cm	EOS80 ⁵
GPS			10 m	

¹Based on temperature resolution and accuracy.

²Based on 100,000 µS/cm at -5° C.

³1978 Practical Salinity Scale.

⁴Chen-Millero, 1977. Speed-of-sound in sea water at high pressures.

⁵International Equation of State for sea water (EOS-80).