



# FILTRONIC AB

## EXTRACTION ARMS AND NOZZLES FOR A BETTER WORKBENCH ENVIRONMENT



**FILTRONIC AB**  
Box 2284, SE-531 02 LIDKÖPING  
Tel +46 510-208 10, Fax +46 510-201 40  
e-mail: [office@filtronic.se](mailto:office@filtronic.se)  
[www.filtronic.se](http://www.filtronic.se)



# FUME EXTRACTION

## EXTRACTION ARMS FOR THE WORKBENCH



The FT arm concept is a **flexible, easily-built system** to catch the polluted air right at the source and prevent diffusion of unhealthy gases and particles into the workplace.

The different arm parts can be assembled in an infinite number of combinations to fit the **individual requirement**. They are suitable for applications where small, flexible extraction arms are required to catch fumes, gases and particles.

The extraction arms can be connected to the FT filter systems for best increased **mobility** and **minimized running costs**.

FT has extraction arms with very **low pressure drop** for connection to central ventilation systems and mounting to ceilings, walls or the workbench.

All the standard arms are **ESD approved** by SP (*Technical Research Institute of Sweden*) according to IEC 61340.



ESD-safe

Suitable **applications** for the FT arm concept are for example:

- Electronic industries with soldering, glueing and washing
- Beauty salons for nails and hair
- Chemistry laboratories
- Chemistry and pharmaceutical industries

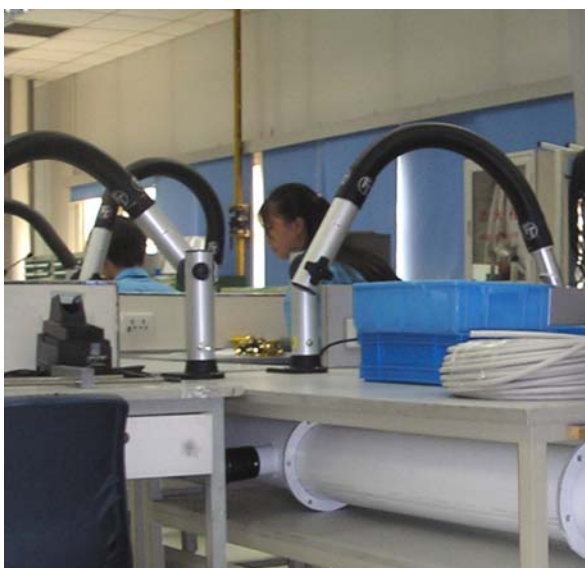
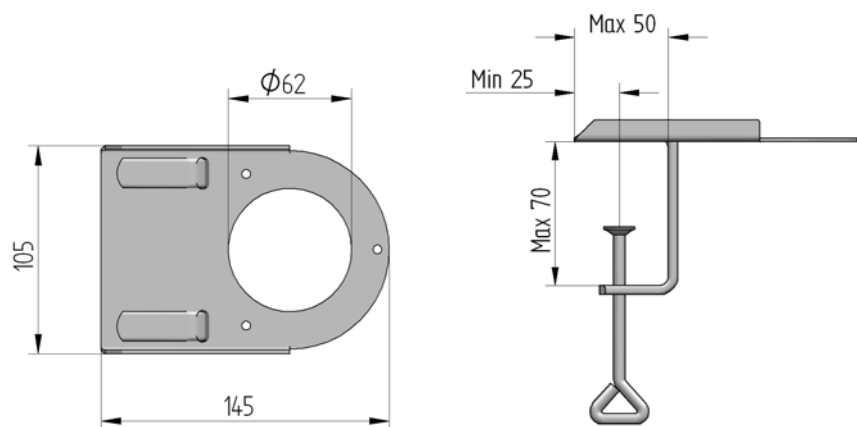


# FUME EXTRACTION

## EXTRACTION ARMS FOR TABLE MOUNTING

The FT extraction arms can easily be mounted on a workbench or on a shelf.

Brackets in varnished, black sheet metal are available for mounting at the edge of the table or through a hole in the table.





# FUME EXTRACTION

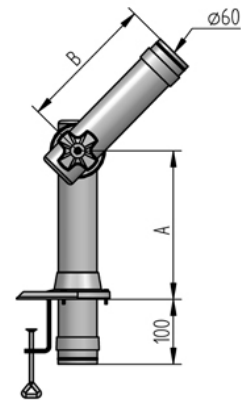
## EXTRACTION ARMS FOR TABLE MOUNTING

### ARM WITH TWO JOINTS

Article no	A (length in mm)	B (length in mm)
5A3B0-0000-AFxx	231	213
5A3BW-0000-AFxx*	231	213

\* Delivered with valve to close the air flow

Please change xx for length of flexible hose, see page 5.



### MATERIAL:

Naturally anodized aluminium with joints in polypropylene and polyamide. At the end of the aluminium tubes there are quick connections made from polypropylene with "click-function" to easily assemble flexible hoses or nozzles.

### ARM WITH THREE JOINTS

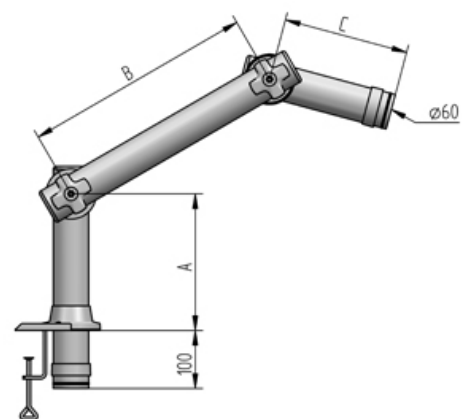
Article no	A (length in mm)	B (length in mm)	C (length in mm)
5A3B0-A500-AFxx	231	390	213
5A3B0-H500-AFxx*	231	430	213
5A3BW-A500-AFxx**	231	390	213
5A3BW-H500-AFxx***	231	430	213

\* Delivered with joint in the middle for rotation of central pipe

\*\* Delivered with valve to close the air flow

\*\*\* Delivered with valve to close the air flow and joint in the middle for rotation of central pipe

Please change xx for length of flexible hose, see page 5.





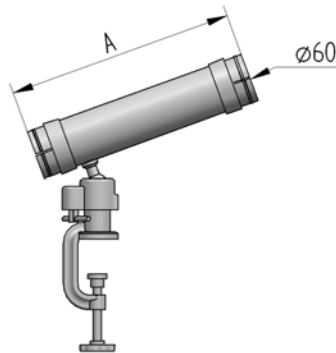
# FUME EXTRACTION

## EXTRACTION ARMS FOR TABLE MOUNTING

**Arm with ball joint** for mounting on a table or on a shelf. The arm can be rotated and fixed according to the requirement. The total length of the arm is governed by the flexible hose which can be ordered in lengths from 50 to 150 cm.

ARM WITH BALL JOINT	
Article no	A (length in mm)
599E0-0000-0Fxx	281
599EW-0000-0Fxx*	281

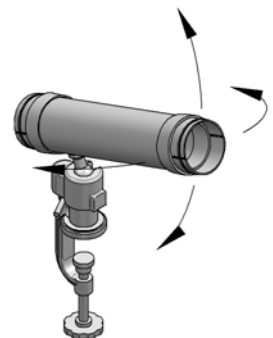
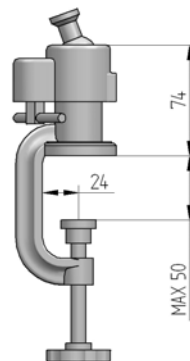
\* Delivered with valve to close the air flow



Please change xx for length of flexible hose, see page 5.

**MATERIAL:**

Naturally anodized aluminium with joints in polypropylene and polyamide. At the end of the aluminium tubes there are quick connections made from polypropylene with "click-function" to easily assemble flexible hoses or nozzles.



The **flexible hose** gives much more efficient usage allowing the nozzle to come as close to the source as possible. The flexible hose is easy and flexible enough to fix in the right position to catch the pollution quickly and effectively.

Delivered with quick-connections to fit aluminium parts and nozzles.

FLEXIBLE HOSE	
Article no	Length in mm
AF05/0F05	500
AF07/0F07	700
AF10/0F10	1000
AF15/0F15	1500



AF07 consists of aluminium part and flexible hose.  
OF07 consists of flexible hose with quick-connection.

**MATERIAL:**  
The flexible hose is manufactured in polystyrene with quick-connections in polyamide.

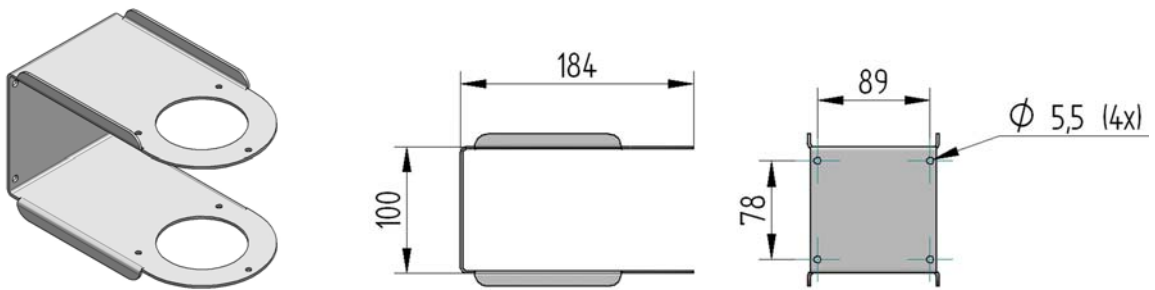


# FUME EXTRACTION

## EXTRACTION ARMS FOR WALL MOUNTING

The FT extraction arms can be mounted to the wall with a bracket in varnished, black sheet metal.

The bracket is mounted on the first part of the arm when delivered.



### MATERIAL:

Naturally anodized aluminium with joints in polypropylene and polyamide. At the end of the aluminium tubes there are quick connections made from polypropylene with "click-function" to easily assemble flexible hoses or nozzles.

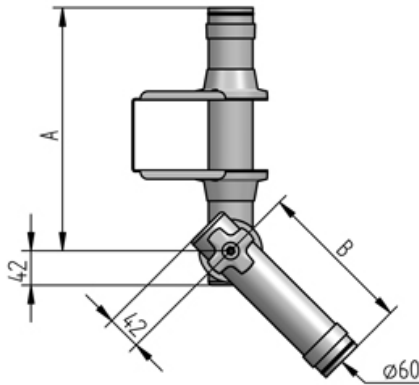






# FUME EXTRACTION

## EXTRACTION ARMS FOR WALL MOUNTING



### ARM WITH TWO JOINTS FOR WALL MOUNTING

Article no	A (length in mm)	B (length in mm)
5A3C0-0000-AFxx	331	213
5A3CW-0000-AFxx*	331	213

\* Delivered with valve to close the air flow

Please change xx for length of flexible hose, see page 8.

### ARM WITH THREE JOINTS FOR WALL MOUNTING

Article no	A (length in mm)	B (length in mm)	C (length in mm)
5A3C0-A500-AFxx	331	390	213
5A3C0-H500-AFxx*	331	430	213
5A3CW-A500-AFxx**	331	390	213
5A3CW-H500-AFxx***	331	430	213

\* Delivered with joint in the middle for rotation of central pipe

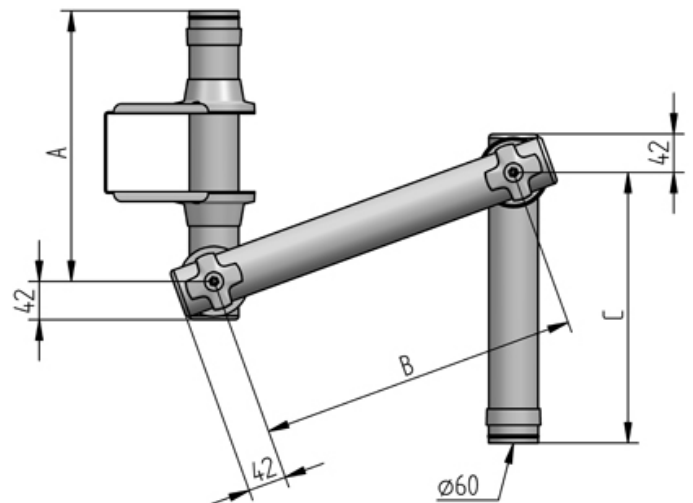
\*\* Delivered with valve to close the air flow

\*\*\* Delivered with valve to close the air flow and joint in the middle for rotation of central pipe

Please change xx for length of flexible hose, see page 8.

### MATERIAL:

Naturally anodized aluminium with joints in polypropylene and polyamide. At the end of the aluminium tubes there are quick connections made from polypropylene with "click-function" to easily assemble flexible hoses or nozzles.





# FUME EXTRACTION

## EXTRACTION ARMS FOR WALL MOUNTING

The **flexible hose** gives much more efficient usage allowing the nozzle to come as close to the source as possible. The flexible hose is easy and flexible enough to fix in the right position to catch the pollution quickly and effectively.

Delivered with quick-connections to fit aluminium parts and nozzles.

FLEXIBLE HOSE	
Article no	Length in mm
AF05/OF05	500
AF07/OF07	700
AF10/OF10	1000
AF15/OF15	1500



AF07 consists of aluminium part and flexible hose.  
OF07 consists of flexible hose with quick-connection.

**MATERIAL:**  
The flexible hose is manufactured in polystyrene with quick-connections in polyamide.

Soft flexible **connection hose** in PVC-covered polyamide and aluminium.  
Delivered with quick-connections to fit extraction arms and reducers.

*Article no:*  
700-3040-ESD      *Connection hose Ø 65 mm, length 1000 mm*  
700-3041-ESD      *Connection hose Ø 65 mm, length 2000 mm*  
700-3051-ESD      *Connection hose Ø 65 mm, length 3000 mm*  
700-3052-ESD      *Connection hose Ø 65 mm, length 4000 mm*  
700-3053-ESD      *Connection hose Ø 65 mm, length 5000 mm*



**Reducer** for circular duct. Delivered with quick-connection to fit connection hoses.

*Article no:*  
800-5002      *Reducer Ø 100/63 mm*  
800-5004      *Reducer Ø 80/63 mm*





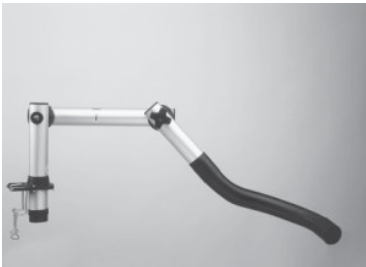


# FUME EXTRACTION

## STANDARD ARMS

Extraction arm 3007 (Ø 60 mm)  
Extraction arm 3407 (Ø 60 mm) with valve  
*Extraction arm with 500 mm flexible hose.*

Component part lengths: 230/395/695 mm  
Total measure: 1320 mm



Extraction arm 3013 (Ø 60 mm)  
Extraction arm 3413 (Ø 60 mm) with valve  
*Short extraction arm with horizontal link and metal nozzle.*

Component part lengths: 230/430/195/105-235 mm  
Total measure: 960-1090 mm



Extraction arm 3015 (Ø 60 mm)  
Extraction arm 3415 (Ø 60 mm) with valve  
*Short extraction arm with 700 mm flexible hose.*

Component part lengths: 230/895 mm  
Total measure: 1125 mm



Extraction arm 3035 (Ø 55 mm)  
*Flexible extraction arm with ALFA-nozzle for direct connection to BT- or MG-units.*

Component part lengths: 1450 mm  
Nozzle WxH: 225x100 mm



Extraction arm 3046 (Ø 60 mm)  
Extraction arm 3446 (Ø 60 mm) with valve  
*Short extraction arm with 700 mm flexible hose and ball joint.*

Component part lengths: 230/700 mm  
Total measure: 930 mm



Extraction arm 4000 (Ø 32 mm)  
Extraction arm 4400 (Ø 32 mm) with valve  
*Extraction arm with 700 mm flexible hose.*

End part: Ø 32 mm, Arm part Ø 60 mm  
Component part lengths: 230/895 mm  
Total measure: 1125 mm



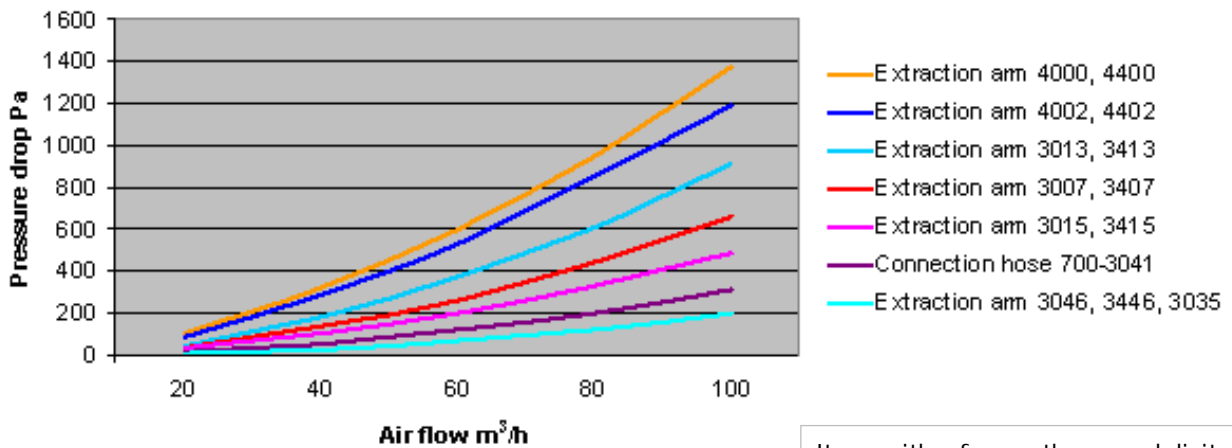


# FUME EXTRACTION

## PRESSURE DROP

Many of the extraction arms from FT feature very low pressure drop and are excellent for connecting to central ventilation.

The diagram below shows the pressure drop in some of the standard arms.



Items with a four as the second digit will be delivered with the air valve (eg 4402).

Example of installations to central ventilation:



Glueing with small components



Soldering and glueing under a microscope

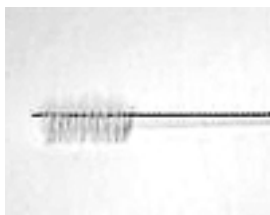


# FUME EXTRACTION

## ACCESSORIES AND NOZZLES

### 700-3026

Cleaning brush for extraction arm Ø 60 mm



### W-SPECIAL

Valve part with quick-connection, for extraction arm

Diameter                    Ø 60 mm  
Length                      115 mm



### 700-3030-ESD

Extra long clamps for table console.  
For a table top max. 95 mm thick.



700-3033-ESD, Suction hood with transparent top  
Metal sheet and polycarbonate, ESD-safe

Width                      470 mm  
Height                     150 mm  
Depth                      180 mm



### Nozzle ALFA

Black polystyrene, ESD-safe

Width                      225 mm  
Height                     100 mm



### Nozzle ALFA-T

Transparent acrylic, antistatic

Width                      225 mm  
Height                     100 mm



### Nozzle U

Black polystyrene, ESD-safe

Width                      190 mm  
Height                     100 mm



### Metal nozzle N

Naturally anodized aluminium, ESD-safe

Diameter                    Ø 50 mm  
Length                      130 mm





# FUME EXTRACTION

## EXTRACTION ARMS FOR THE WORKBENCH

Filtronic AB develops products for a better workbench environment and specializes in filter systems to clean the process air.

The filter systems eliminate discharge of dangerous particles and gases that are produced in different work processes in the industry, e.g. the electronic industry, laboratories, chemical and mechanic industry.

All technical development and manufacturing takes place in Lidköping, and the products are used by leading companies worldwide.

The primary function of the system is to catch the pollution at source. It is important to choose the right arm and nozzle for maximum effect. FT produces a broad range of items to attain optimum performance.

Connect the extraction arms to FT mobile filter systems or to central ventilation.



For more information about extraction arms and spot suction please contact:

**FILTRONIC AB**  
Box 2284, SE-531 02 LIDKÖPING  
Tel +46 510 20810, Fax +46 510 20140  
e-mail: [office@filtronic.se](mailto:office@filtronic.se)  
[www.filtronic.se](http://www.filtronic.se)